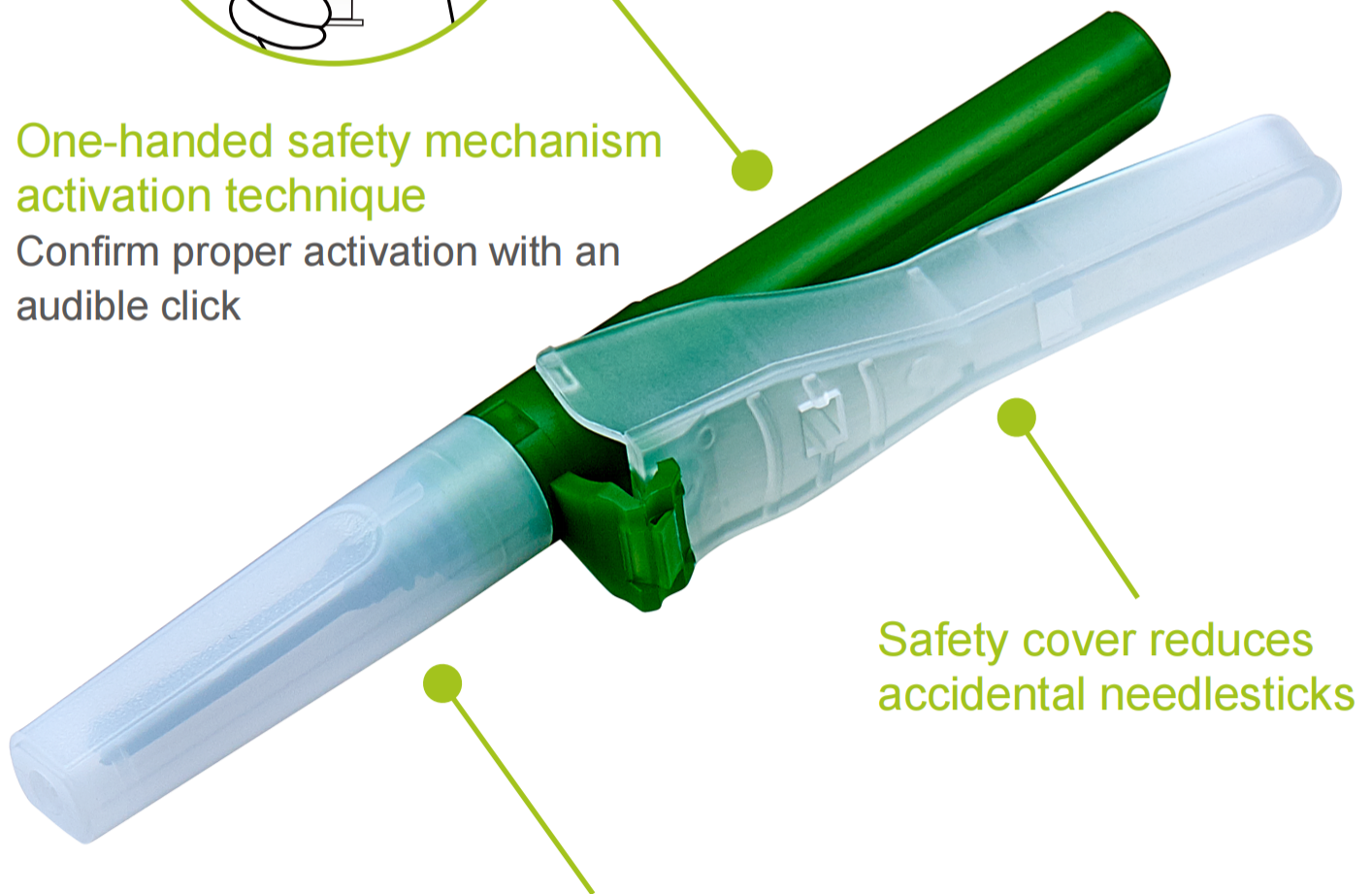


BERPU®

Safety Blood Collection Needle



- One-handed safety mechanism activation technique
- Confirm proper activation with an audible click

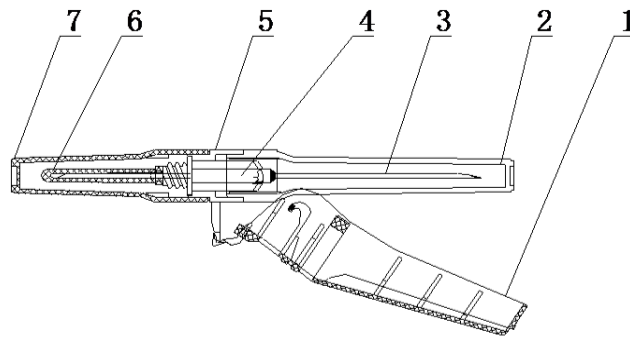


Safety cover reduces accidental needlesticks

Provide a simple, effective way to collect blood

STERILE EO

CE 0123



- 1-Safety cap
- 2-Top protector
- 3-Needle
- 4-Needle hub
- 5-Safety cap joint
- 6-Rubber sleeve
- 7-Bottom protector

Safety Blood Collection Needle

Gauge	18G-27G	
Material	Safety cap	Medical grade PP
	Top Protector	Medical grade PP
	Needles hub	Medical grade ABS
	Cannula	SUS304
	Safety cap Joint	Medical grade PP
	Rubber sleeve	Medical grade rubber
	Bottom protector	Medical grade PP
Intended use	The blood collection needles for single use are applicable for blood collection from patients. It is only for single use, dispose after use, convenient to use, and can effectively prevent the cross infection between patients.	
Latex free	Customized	
Sterilization method	EO	
Shelf life	5 years	
Standard	ISO7864:2016	
Certification	CE, ISO13485	